

## 1150

Wheel Loaders 1.0 - 1.5 m<sup>3</sup>



### The particularly economic class of wheel loaders

Compact and manoeuvrable wheel loaders for a variety of applications. With an optimised power to weight ratio, low shipping weight and continuous high payload, the efficiency of this model series is of great benefit to end users.

- One-piece frame and all-wheel steering
- Hydraulic quick coupler system and parallel-controlled loading system
- Spacious cabin with perfect all-round visibility
- Efficient drive and low operating costs

**1150**Wheel Loaders 1.0 - 1.5 m<sup>3</sup>**Technical specifications**

## Operating data

Bucket capacity (standard bucket)	1,15 m <sup>3</sup>
Operating weight	5.900 kg

## Engine / Motor

Engine / Motor manufacturer	Deutz
Engine performance	55 kW

## Power transmission

Travel speed	20 km/h
Travel speed (optional)	30 km/h
Differential lock	100% connectable
Standard tires	405/70-24

## Steering and operating hydraulics

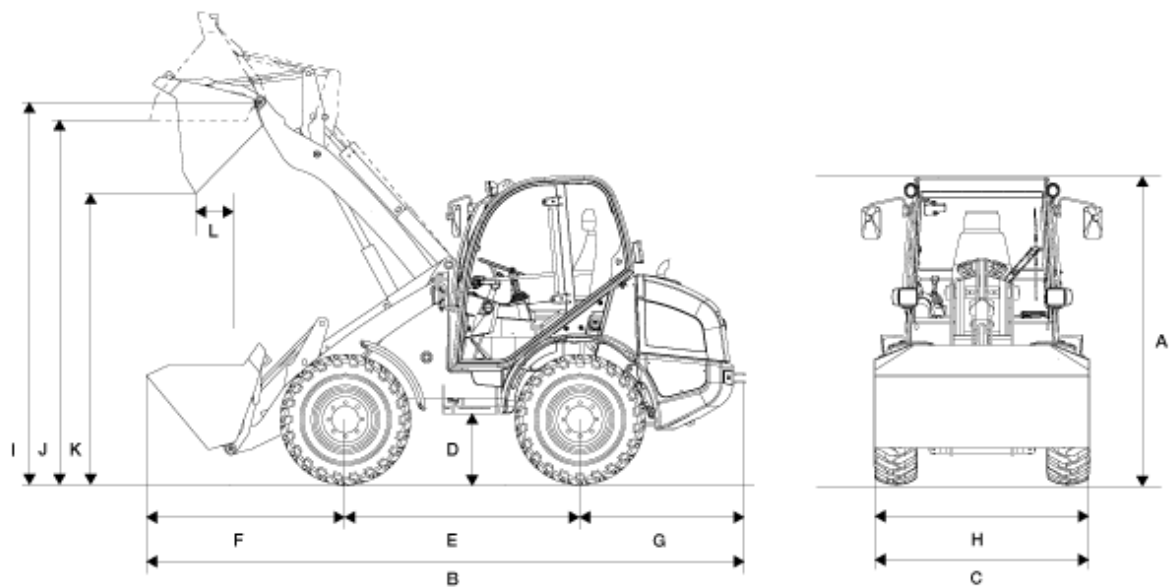
Flow rate (pump)	84 l/min
Pressure (maximum)	250 bar

## Kinematics

Tipping load (with bucket)	4.140 kg
Payload (S=1.25)	2.900 kg

Additional technical data is available in the detailed brochure in the informational material section

## Dimensions



A	Height	2.700 mm
B	Length	5.800 mm
C	Width	1.890 mm
D	Ground clearance	375 mm
E	Wheelbase	2.150 mm
F	Center of front axle to tip of teeth	2.170 mm
G	Center of rear axle to end of vehicle	1.480 mm
H	Bucket width	2.150 mm
I	Bucket pivot point	3.500 mm
J	Overhead loading height	3.285 mm
K	Dumping height	2.720 mm
L	Dump reach	660 mm
	Stack height	3.330 mm

Turning radius (over tyres)

2.850 mm

---

**Information on suitable accessories can be found on our website.**

The right to make changes is reserved in the interests of ongoing further developments. You can find more information on the engine power in the operator's manual. The actual power output figures may vary due to specific operating conditions.

Information on suitable accessories can be found on our website. More detailed information on engine power can be found in the operator's manual; the stated power may vary due to specific operating conditions. Subject to alterations and errors excepted. Applicable also to illustrations. Copyright © 2014 Kramer-Werke GmbH.