

### Specifications

Model	GTH™-2506	
Measurements	Metric	Imperial
Lifting height maximum	5.79 m	19 ft
Lifting capacity maximum	2,500 kg	5,511 lbs
Lift capacity at maximum height	2,000 kg	4,409 lbs
Lift capacity at maximum reach	900 kg	1,984 lbs
Forward reach maximum	3.35 m	10 ft 12 in
Reach at maximum height	0.60 m	2 ft
<b>A</b> Height	1.92 m	6 ft 4 in
<b>B</b> Height at steering wheel	1.25 m	4 ft 1 in
<b>C</b> Width	1.81 m	5 ft 11 in
<b>D</b> Cab width	0.86 m	2 ft 10 in
<b>E</b> Track	1.5 m	4 ft 11 in
<b>F</b> Wheelbase	2.36 m	7 ft 9 in
<b>G</b> Length at front wheels	3.35 m	10 ft 12 in
<b>H</b> Length at fork-holder plate	3.84 m	12 ft 7 in
<b>I</b> Ground clearance	0.33 m	1 ft 1 in
<b>J</b> Overall length	5.04 m	16 ft 6 in
<b>M1</b> Obstruction angle		90°
<b>M2</b> Departure angle		60°

### Productivity

Inside/outside turning radius	1.6 m/3.25 m	5 ft 3 in/10 ft 8 in
Break-out force*	3,700 kg	8,157 lbs
Towing capacity at dynamometer**	4,649 kg	10,250 lbs
Drive speed max.	23 km/h	14 mph
Fork-holder plate rotation		130°
Tyres (DIN 70361)	12-16.5" PR10 8 holes wheel disc	
Lifting/lowering speed**	8 sec./7 sec.	
Extension/retraction speed**	8 sec./4 sec.	

### Power

Engine****	Deutz TD 2.9 L4, 4-cylinder diesel 55.4 kW (74 hp), stage IIIA Deutz TD 2.9 L4, 4-cylinder diesel 55.4 kW (74 hp), stage V	
Transmission	Hydrostatic variable displacement pump linked to variable displacement motor. Both piston type.	
Service pumps	Boom & Control system gear pump type: 280 Bar, 70 L/min.	
Petrol tank capacities	60 L	13 gal
Engine oil capacities	8 L	2.11 gal
Hydraulic oil tank capacities	65 L	14 gal

Weight\*\*\* 4,580 kg 10,100 lbs

### Standards Compliance

EU Machinery Directive 2006/42/EC and CEN Rough-Terrain Truck Standard EN 1459-1:2017  
 Operating cab conforms to ISO3471 (ROPS) and ISO3449 (FOPS)  
 Low emission engine conforms to EU Directive 97/68/EC Stage III, 2004/26/EC and European Emissions Regulation (EU) 2016/1628 Stage V  
 Noise emission conforms to EU Directive 2000/14/EC (LpA=83 dB, LwA=103dB)  
 Vibration levels according to EN13059:2002 (hand-arm <2.5m/s<sup>2</sup>, whole body 0.44m/s<sup>2</sup>)

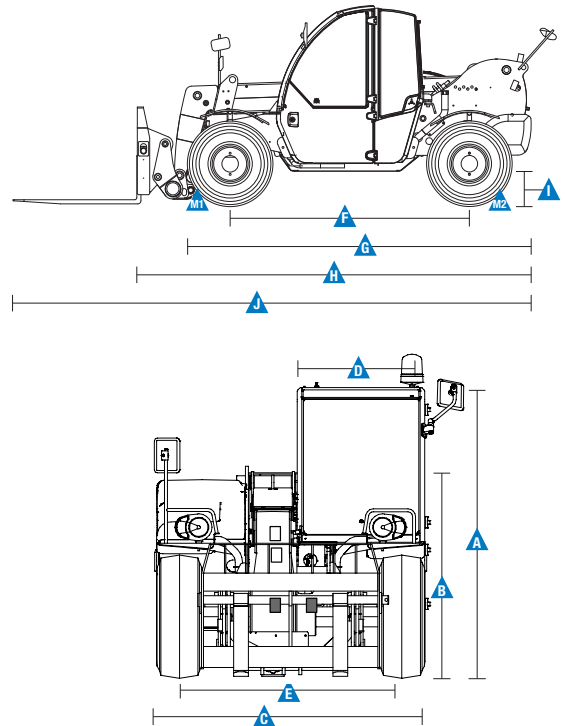
\* With 800 L shovel SAE J 732/80

\*\* Without load

\*\*\* Weight will vary depending on options and/or country standards

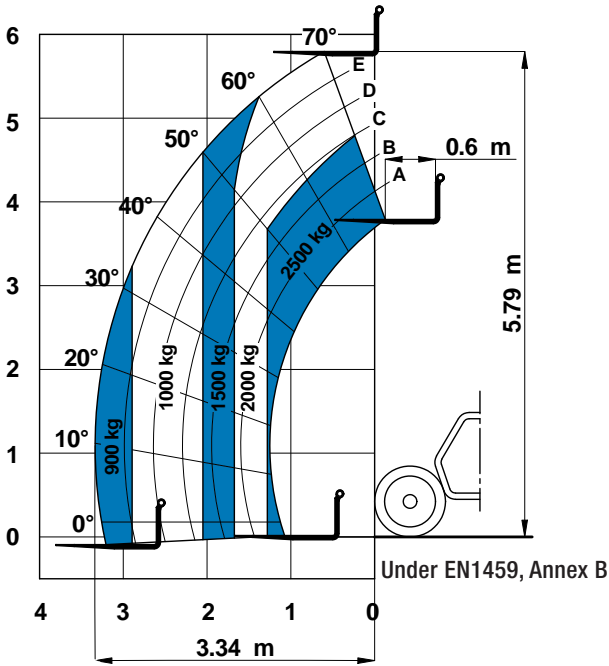
\*\*\*\* Stage IIIA is not CE certified

### Measurements

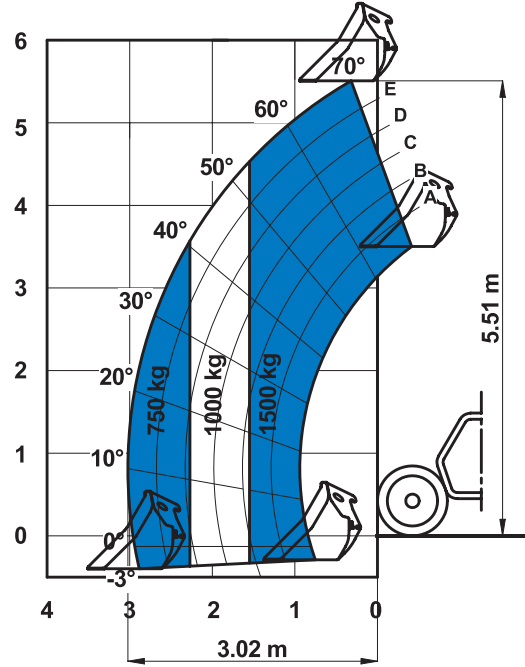


### Load Charts

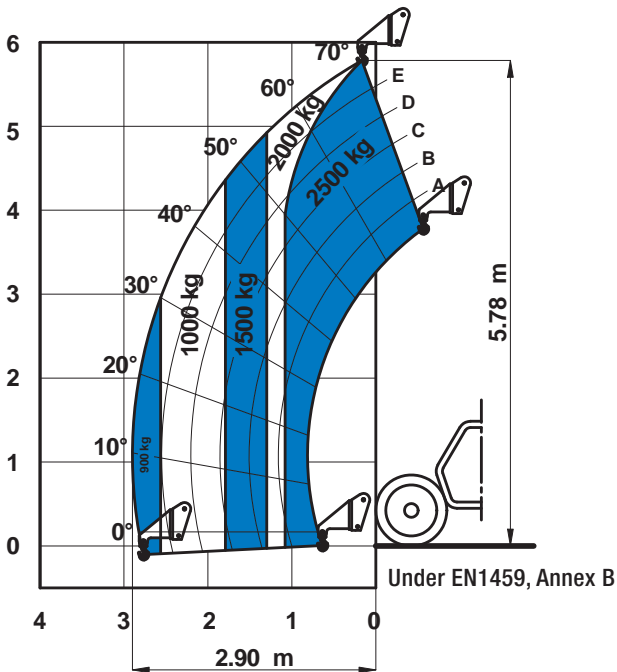
On wheels with forks



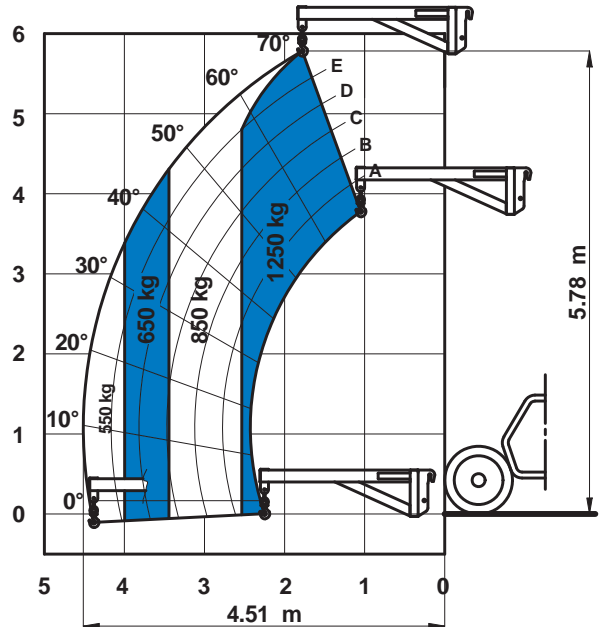
On wheels with 500 L/800 L shovel



On wheels with 2.5t fixed hook on plate



On wheels with 2m jib



## Features

### Standard Features

#### Measurements

- 2,500 kg (5,511 lb) maximum lift capacity
- 5.79 m (19 ft) maximum lift height
- 3.35 m (10 ft 12 in) maximum forward reach

#### Productivity

- 4 Wheel Drive
- 4 Wheel Steer
- 3 Steering Modes: Front, Crab, Coordinated
- Power Assisted Steering
- Hydrostatic Transmission
- Limited Slip Differential on Front Axle
- Oil immersed Multi-disc brakes on front axle

#### Chassis & Tyres

- Side-mounted Engine for Easy Access and Maintenance
- Towing Hook
- Maintenance Collar
- Front & Rear Lights
- Two side view and rear fish eye mirrors
- Lockable fuel tank

#### Cabin

- Electro-proportional 4x1 Joystick
- Two-section door (glass upper/steel lower)
- Adjustable suspended seat
- Adjustable steering wheel
- Front & rear windscreen wipers
- Sunshield
- Roof protection grid
- Battery disconnection switch
- Self activated parking brake hydraulically released
- Road/jobsite switch
- Longitudinal stability control system with display and audible alarm, lock out of boom extension
- Use and Maintenance Handbook

### Standard Features

#### Boom

- Main hydraulic line on boom
- Attachment holder plate with mechanical coupling
- Angle and length indicators on boom

#### Power

- Deutz diesel 55.4 kW (74 hp), stage IIIA
- Deutz diesel 55.4 kW (74 hp), stage V

#### Tyres

- Air filled rough terrain tyres, 12-16.5" PR10. 8 holes wheel disc (DIN 70361).

### Options & Accessories

#### Productivity

- Air conditioning
- Hydraulic inching by service brake pedal action
- Main electrical line on boom
- Additional hydraulic line on boom
- Hydraulic quick coupling for attachments
- GM-1 Articulation for Manitou attachments
- Adjustable LED spotlights - on boom <sup>(1)</sup> and cabin <sup>(2)</sup>
- Windshield protection grid
- Wiper on cab roof
- Trailer coupling (max 6t)
- Rear wheel alignment
- Winter fuel -22°C
- Low temperature hydraulic oil
- Biodegradable hydraulic oil
- 10 t hydraulic jack + 24 mm box wrench
- Rear hydraulic connection
- Rear electric socket
- 12 V charger

#### Tyres and Wheels

- Spare wheel 12-16.5" PR10
- Foam filled tyre 12-16.5" PR10
- Foam filled spare wheel 12-16.5" PR10
- Non-marking tyre 12-16.5" PR10
- Solid tyre 12-16.5" PR10

#### Attachments

- Floating forks L 1200 mm, section 100x40 mm
- GM-1 floating forks L 1200 mm, section 100x40 mm
- FEM 2 plate and forks kit
- FEM 2 forks with hydraulic side-shift (+/-100 mm)
- 500/800 L loading shovel
- 500 L concrete bucket (manual or hydraulic discharge)
- 250 L concrete mixing bucket (full hydraulic)
- Brick-holder basket
- Fixed hook on plate
- 2 m mechanical extension jib, 1,250 kg capacity



<sup>(1)</sup> Factory-fit option only

<sup>(2)</sup> Aftermarket only

## Europe, Middle East, Africa and Russia Region

United Kingdom and Europe, T: +44 800 988 3799 (toll free) or +31 165 519 349

Middle East, Southern Africa, Russia and Turkey, T: +971 4 399 0381

Visit [www.genielift.com/en-gb/about-genie/locations](http://www.genielift.com/en-gb/about-genie/locations) to view our global locations list

## Worldwide Manufacturing And Distribution

Australia · Brazil · Caribbean · Central America · China · France · Germany · Italy · Japan · Korea · Mexico · Russia · Southeast Asia · Spain · Sweden · United Arab Emirates · United Kingdom · United States

Product specifications and prices are subject to change without notice or obligation. The photographs and/or drawings in this document are for illustrative purposes only. Refer to the appropriate Operator's Manual for instructions on the proper use of this equipment. Failure to follow the appropriate Operator's Manual when using our equipment or to otherwise act irresponsibly may result in serious injury or death. The only warranty applicable to our equipment is the standard written warranty applicable to the particular product and sale and we make no other warranty, express or implied. Products and services listed may be trademarks, service marks or trade names of Terex Corporation and/or their subsidiaries in the USA and many other countries. Genie is a registered trademark of Terex South Dakota, Inc. © 2020 Terex Corporation.

