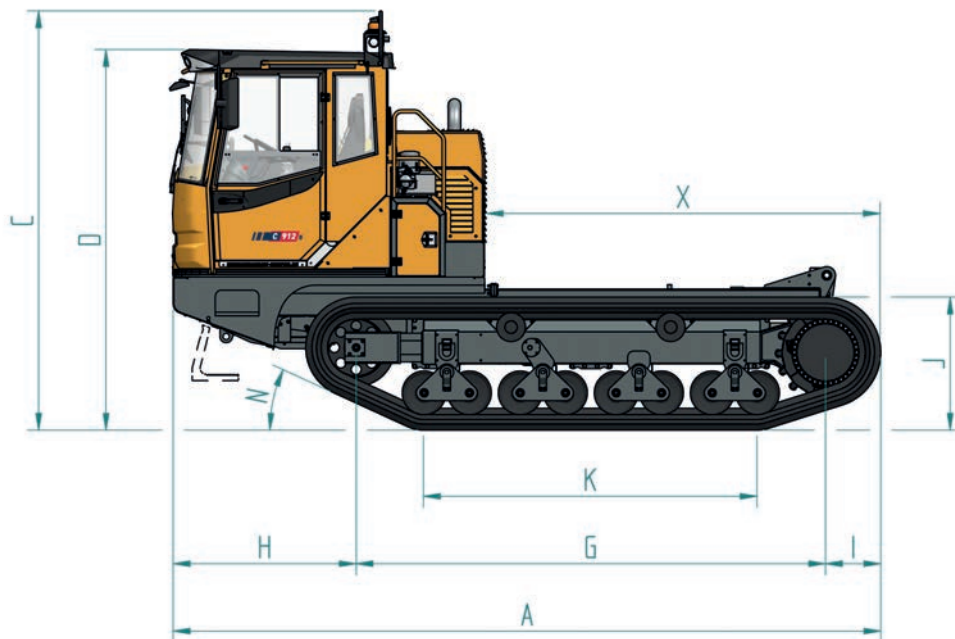


# BERGMANN II C 912 s

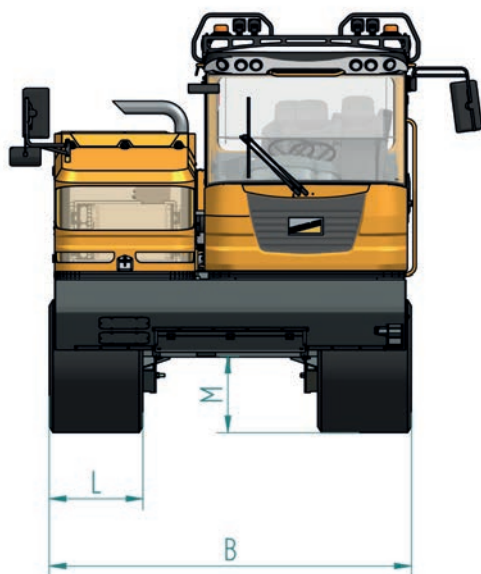


Carrier vehicle



## Dimensions

A	5,674 mm	18.62 ft
B	2,900 mm	9.51 ft
C	3,360 mm	11.02 ft
D	3,050 mm	10.01 ft
G	3,764 mm	12.35 ft
H	1,468 mm	4.82 ft
I	443 mm	1.45 ft
J	1,066 mm	3.50 ft
K	2,674 mm	8.77 ft
L	750 mm	2.46 ft
M	613 mm	2.01 ft
N		25°
X	3,158 mm	10.36 ft



## Weight

Empty weight	13,250 kg	29,211 lb
Payload	11,200 kg	24,691 lb

## Bucket capacity

Struck	4.7 m <sup>3</sup>	6.1 yd <sup>3</sup>
Heaped	6.5 m <sup>3</sup>	8.5 yd <sup>3</sup>

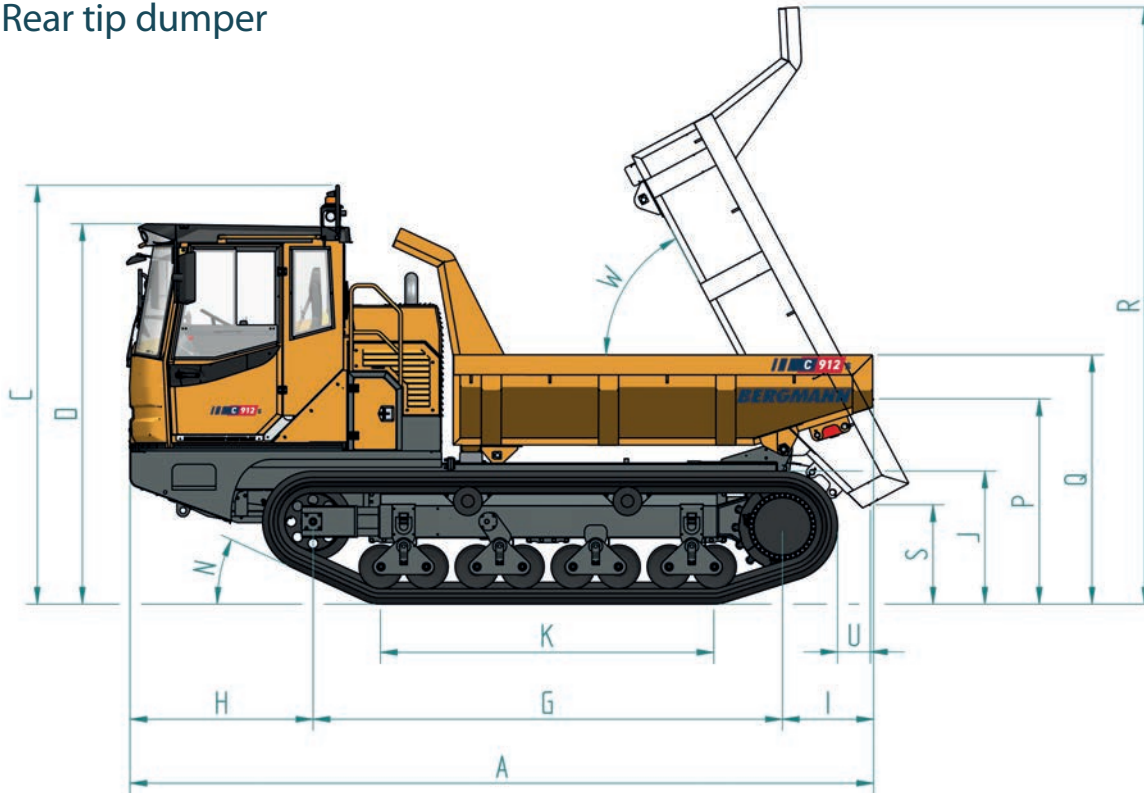
All illustrations, dimensions and weights do not necessarily correspond to the standard equipment and are non-binding with regard to tolerance deviations on component level. We reserve the right to make technical changes.



# BERGMANN II C 912 s



## Rear tip dumper



### Dimensions

A	5,963 mm	19.56 ft
B	2,900 mm	9.51 ft
C	3,360 mm	11.02 ft
D	3,050 mm	10.01 ft
G	3,764 mm	12.35 ft
H	1,468 mm	4.82 ft
I	732 mm	2.40 ft
J	1,066 mm	3.50 ft
K	2,673 mm	8.77 ft
L	750 mm	2.46 ft
M	613 mm	2.01 ft
N		25°
O	2,901 mm	9.52 ft
P	1,646 mm	5.40 ft
Q	1,998 mm	6.56 ft
R	4,785 mm	15.70 ft
S	797 mm	2.61 ft
U	263 mm	8.86 ft
W		62°

### Weight

Empty weight	14,250 kg	31,415 lb
Payload	10,000 kg	22,046 lb

### Bucket capacity

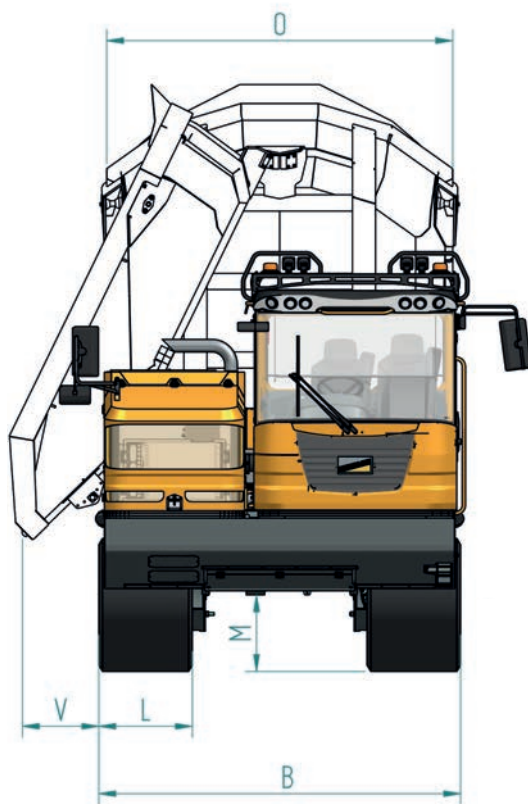
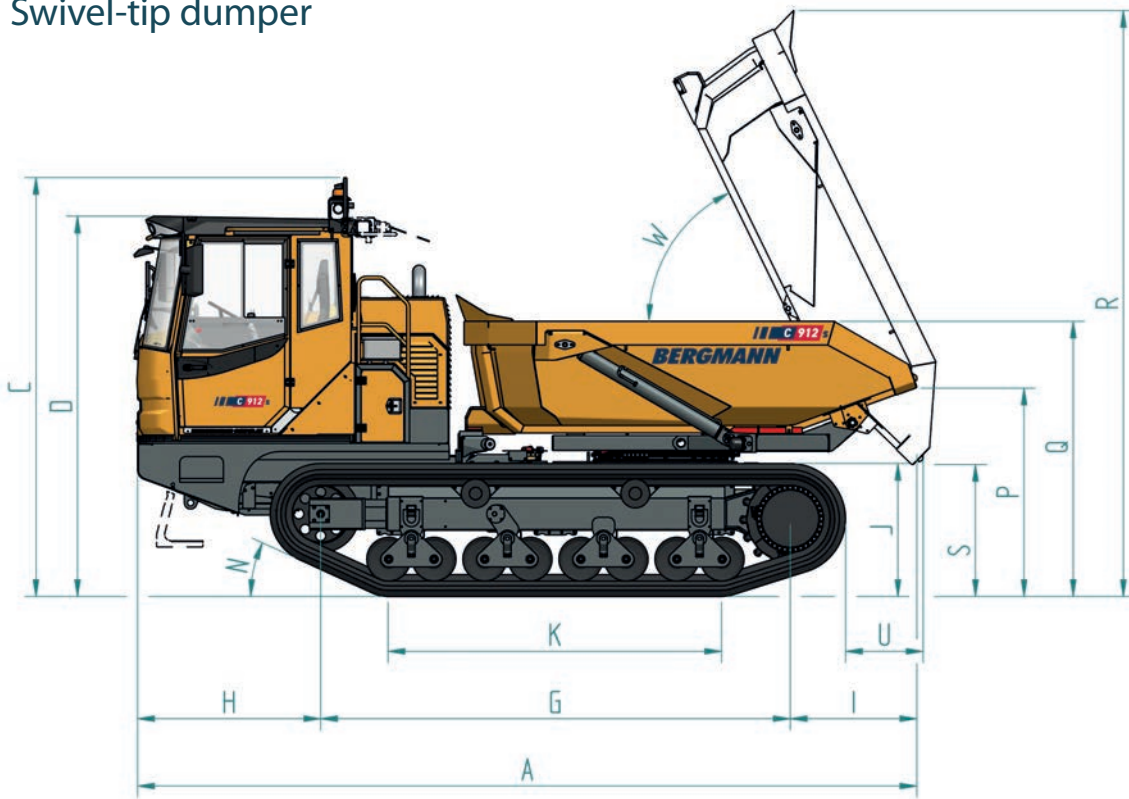
Struck	4.7 m <sup>3</sup>	6.1 yd <sup>3</sup>
Heaped	6.5 m <sup>3</sup>	8.5 yd <sup>3</sup>

All illustrations, dimensions and weights do not necessarily correspond to the standard equipment and are non-binding with regard to tolerance deviations on component level. We reserve the right to make technical changes.

# BERGMANN II C 912s



Swivel-tip dumper



## Dimensions

A	6,246 mm	20.49 ft
B	2,900 mm	9.51 ft
C	3,360 mm	11.02 ft
D	3,050 mm	10.01 ft
G	3,764 mm	12.35 ft
H	1,468 mm	4.82 ft
I	1,015 mm	3.33 ft
J	1,066 mm	3.50 ft
K	2,673 mm	8.77 ft
L	750 mm	2.46 ft
M	613 mm	2.01 ft
N		25°
O	2,773 mm	9.10 ft
P	1,670 mm	5.48 ft
Q	2,207 mm	7.24 ft
R	4,699 mm	15.42 ft
S	1,058 mm	3.47 ft
U	622 mm	2.04 ft
V	613 mm	2.01 ft
W		64°

## Weight

Empty weight	14,850 kg	32,738 lb
Payload	10,000 kg	22,046 lb

## Bucket capacity

Struck	4.7 m <sup>3</sup>	6.1 yd <sup>3</sup>
Heaped	6.5 m <sup>3</sup>	8.5 yd <sup>3</sup>

All illustrations, dimensions and weights do not necessarily correspond to the standard equipment and are non-binding with regard to tolerance deviations on component level. We reserve the right to make technical changes.

## Technical data

### Highlights

- High stability thanks to low center of gravity
- Comfortable cab
- Inside oil bath multi-disc brake
- Low ground pressure
- High traction

### Engine

6-cylinder Cummins diesel engine QSB 6.7 – water-cooled	
Power	180 kW
Rotational speed	2,200 rpm
Emission standard	Stage 5

### Transmission

Hydrostatic drive with planetary transmission		
Speed I	0–8 km/h	0–5 mph
Speed II	0–15 km/h	0–9.3 mph

### Steering

Steering wheel or joystick

### Brakes

Inside oil bath multi-disc brake

### Tracked chassis

2 rubber tracks, width: 750 mm/2.46 ft  
(steel tracks on request)

### Tank capacity

Fuel	225 L
Hydraulic oil	180 L

### Electrics

- 24 V electric system with main switch
- Fault detection mode
- Control lamps for engine oil, park brake, driving display, battery charging control and hydraulic filter
- Display for drive position

### Standard equipment

- Comfortable cab with air-suspended driver's seat
- Lighting system in accordance with German traffic regulations
- Bucket from wear-resistant fine-grain steel
- Beacon light, cigarette lighter
- Sun blind for front windscreen
- Device for radio, loudspeaker and antenna
- CE conformity declaration
- Manual/Spare parts list